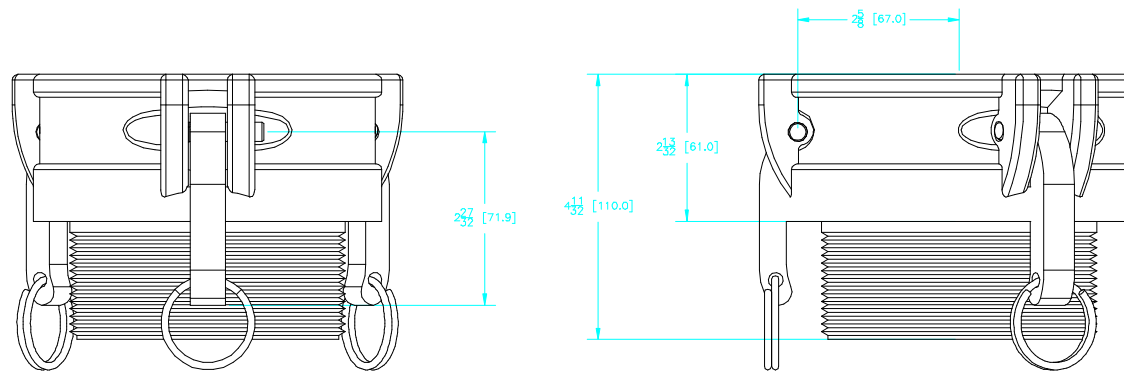
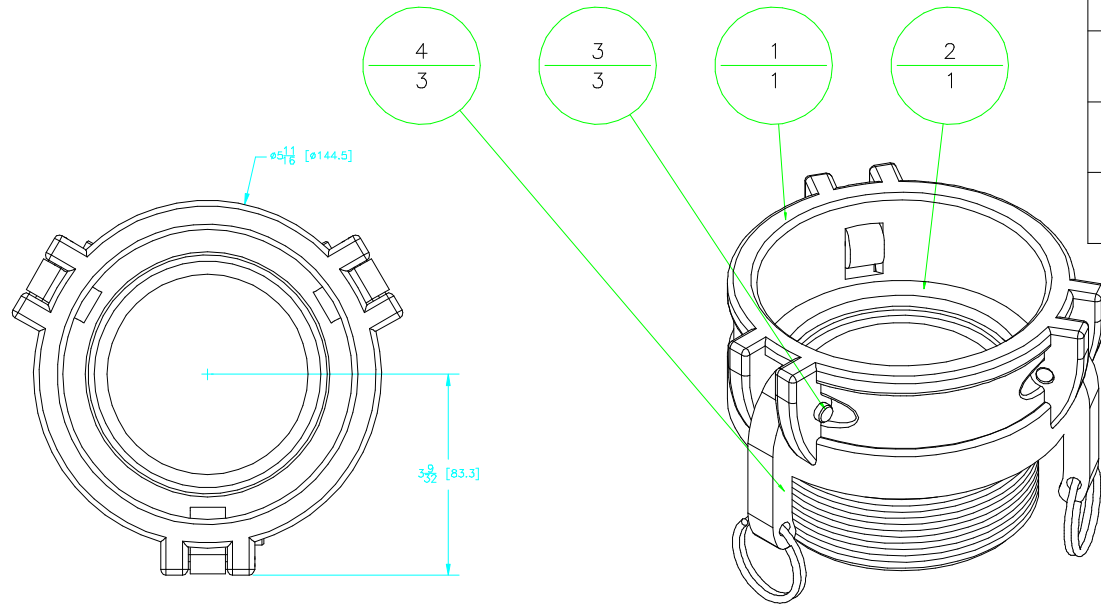


Parts List

Item	Qty	Name
1	1	400XMB
2	1	400G
3	3	300P
4	3	300K



THIS DRAWING AND ALL INFORMATION CONTAINED THEREON ARE THE EXCLUSIVE PROPERTY OF BANJO CORPORATION. UNLESS SPECIFICALLY NOTED, THIS DRAWING AND ITEMS SHOWN ON THIS DRAWING ARE SUBJECT TO CHANGE AT ANY TIME.

BANJO
LIQUID HANDLING PRODUCTS

BANJO CORPORATION
150 BANJO DR. • CRAWFORDSVILLE, IN 47933

PART NO. 400B

TITLE 4" FQDC x MPT Thread